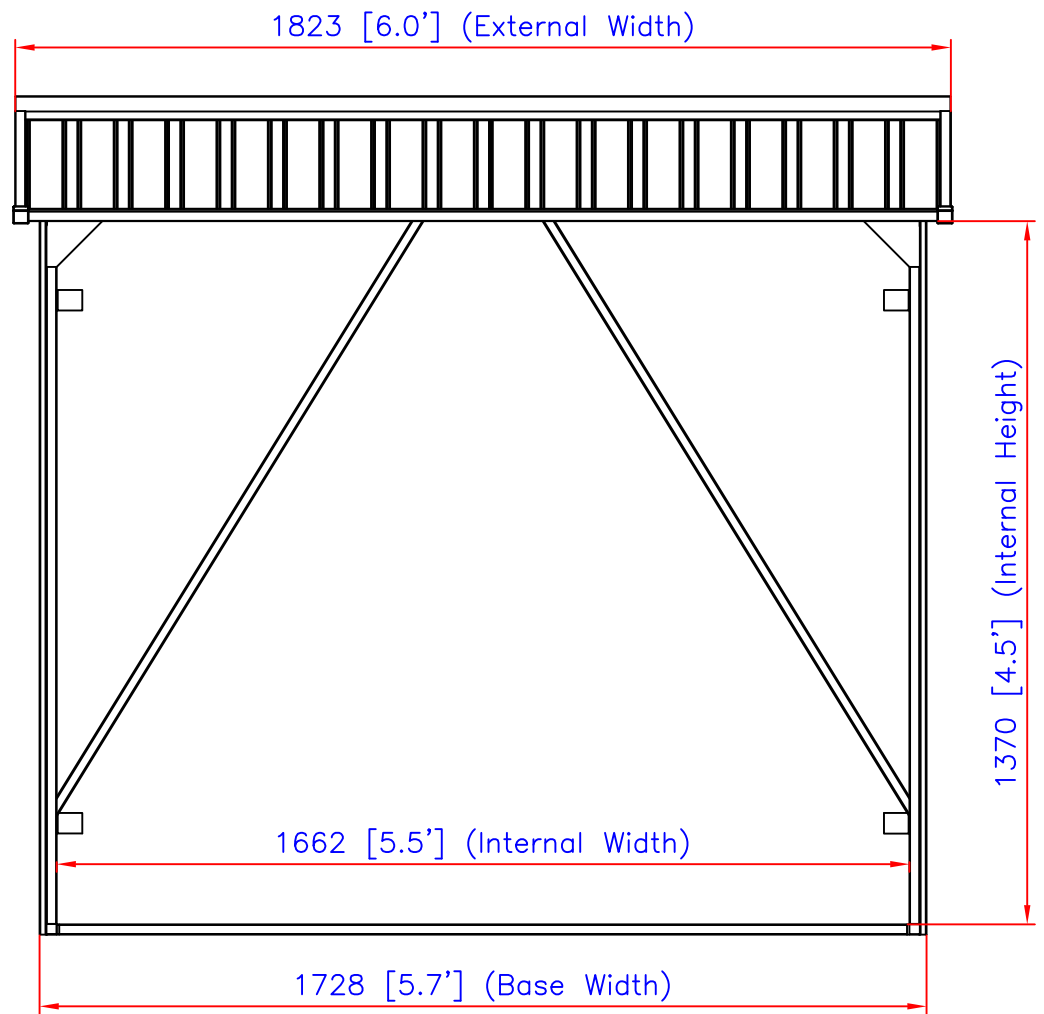


Side View



Elevation

6'x2' Wood Storage Shed

Note - Dimensional tolerance +5.0 mm.
-2.0